

CASE STUDY

Indian IT Services Company RFID ENABLED CoE MODULE for its Centre of Excellence



TATA CONSULTANCY SERVICES

The RFID Centre of Excellence is primarily used to showcase the IT services organisation's best-of-breed capabilities to its customers and would-be early adopters as to how the track & trace technology be used in a real-life situation by simulating the scenario at the CoE itself. The CoE is equipped with some of the best RFID equipment from some of the world's best RFID manufacturers.

Company:

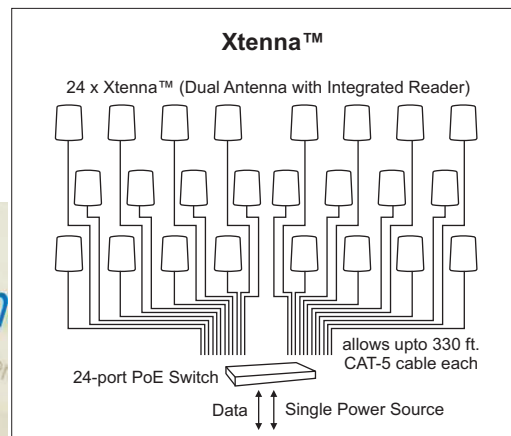
Tata Consultancy Services, Kolkata, India

Facility: CoE

Challenge:

- Building a RFID-enabled Business Case to be able to demonstrate it to potential customers.
- Highlight the importance of TCP/IP based protocols settings and also to showcase the latest trends in Power-over-Ethernet Concept.

Centre of Excellence



Xtenna™ device connectivity

Proposed Solution:

- As an OEM, Essen RFID's long-range reader Xtenna™ operates on the concept of TCP/IP based protocols settings, on the basis of which the RFID reader can be remotely controlled and its firmware upgradeable.
- Power-over-Ethernet (PoE) concept implies the ability to pump data simultaneously along with 48V DC power over an inexpensive CAT 6 cable.
- The distance between Xtenna™ and PoE switch can now be enhanced to 330 feet without loss.

Realised Benefits:

- Cost effective solution
- Stable digital transmission
- No signal deterioration leading to enhanced read range (upto 17 metres)

TECHNOLOGY

Solution:

EPC Gen2 compliant CoE system

Tag Type:

Genera™ UHF Passive,
Parka™ UHF Passive,
Personna™ UHF Passive

Reader/Antenna:

Xtenna™ Long Range

Read Range:

17 metres (50 feet)

Method:

Multiple Tracking via Integrated Reader/Antenna modules

Number of modules: 4

Integration Platform:

RFID Middleware: Xtenna™ Studio
Database: SQL Server 2005 Exp. ed.

Tag Manufacturer/Supplier:

EsSEN RFID

Reader/Antenna Manufacturer:

EsSEN RFID

Systems Integrator:

EsSEN RFID

For further details contact:

EsSEN RFID

24-B, Jolly Maker II
Nariman Point
Mumbai 400021 India
www.essenrfid.com