

Get the PORTA™ Advantage

Implementing an RFID solution?

from small start-ups to enterprise level applications – innovative technology for every business

Dual Circular Polarized Antennas with Integrated RFID Reader

An innovation that overcomes current RFID shortcomings, extends reach, improves and optimizes operations, and therefore extends functionality beyond existing applications-Essen's Porta™ is a ready-to-use integrated RFID device that gives superior performance is convenient to use, extremely cost-effective and offers faster ROI.

Specifications

- Remotely manageable Frequency bands - (US/EU/India/Korea/China)
- Device powered through Power-over-Ethernet (PoE)
- TCP/IP based interface - RJ45
- Bi-static antennas with separate receive/transmit lobes
- Firmware upgradable
- Certifications - meets RoHS, MIC, ETSI & FCC

Advantages

- Single integrated unit, easily mountable
- Eliminates need for a regular on-site power source
- Simple plug-and-play device
- Overcomes RF limitations
- Only requires inexpensive CAT-6 cable that carries 48V DC power simultaneously along with data, allowing the device to be powered from a distance of upto 330 ft.
- Lossless digital transmission
- Supports Dense Reader Mode

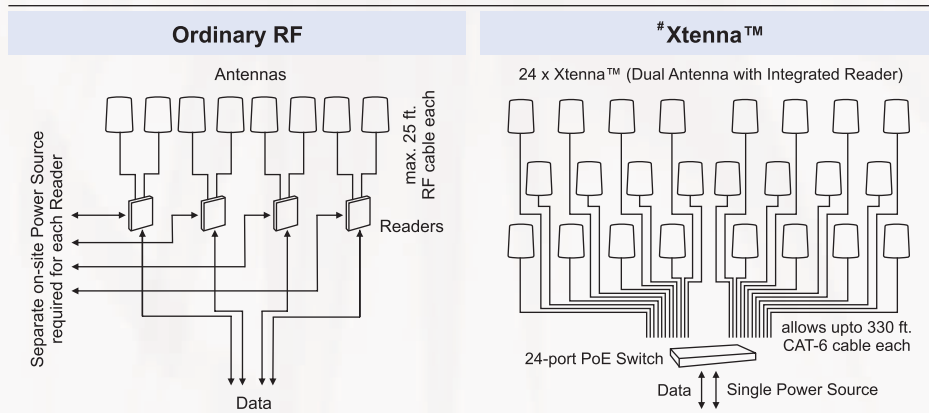
Comparison



Patent Pending



Provides enterprise level seamless connectivity with Middleware (Xtenna Studio™, Microsoft BizTalk RFID, IBM Web- Sphere Premises Server), Paid/Free Databases (IBM Db2, Oracle, MySQL) and ERP applications (SAP).



All Xtenna™ devices meet regulatory RFID electrical requirements.

Aesthetic looking and lightweight, yet robust with high endurance.

Available along with PoE switch in certain configurations.

All trademarks are acknowledged as the property of their respective owners.

High Performance RFID Tags**

Essen's Special RFID Tags for longer read distances

Essen RFID also offers superior RFID Tags that have been specially devised to be read at longer distances. These special Tags outperform regular Passive RFID Tags through long-distance reads that enable quick item clearance, thereby improving overall operational efficiency. Essen RFID Tags are available in four specialized varieties, each customized for specific read objectives. From tracking people on the move, to vehicle access, to liquid containers and metallic objects, to bulk cartons and pallets - Essen RFID Tags provide full value for money, through higher performance, better reliability and greater efficiency.



Porta™ – Technical Specifications

		European Standard Porta™ - DCP867A	US FCC Standard Porta™ - DCP915A
Antenna P/N	Frequency Band	865-870 Mhz	902-928 Mhz
	Gain	9.0 dBic (typ)	
	Polarization	RH+LH	
	AZ/EL BW	62° / 66°	60° / 72°
	Port to Port Isolation	-40 dB (typ)	
	VSWR 50 Ohm Impedance	1.4:1 (max)	1.5:1 (max)
	Sidelobe Level	-12 dB (max)	
	Axial Ratio Level	3.0 dB (typ)	
	Max. Input Power	4 Watts	
Integrated Reader	Frequency Band	865-870 Mhz	902-928 Mhz
	RFID Tag and Protocol Support	EPC Generation 2 R/W, Full Anti-Collision, DRM	
	RF Max Power Output	30 dbm +/- 1.0 dB	
	RF Min Power Output	5 dbm +/- 1.0 dB	
	Flash Memory	256 Kb	
	RAM	64 Kb	
	Firmware	Upgradable	
	Regulatory	Meets RoHS, MIC, ETSI and FCC Regulations	
General	Interface	Ethernet - RJ45	
	Dimensions	48x11x3in	
	Weight	7Kg	

Essen reserves the right to modify specifications without notice.

© 2009 Essen



Essen Energy Conversion Devices Pvt Ltd
24 B, Jolly Maker II, Nariman Point, Bombay 400 021 INDIA
Tel: +91 22 6632 5363 • Fax: +91 22 6632 5366
Email: xtenna@essenrfid.com • Web: www.essenrfid.com

Syscomp

1 Woodgrove Turn, Warren,
NJ 07059 USA
Tel: 1-732-604-3055
Email: harish_purohit@essenrfid.com

Mr. James Snyder

2913 SW 22nd Cir #36D, Delray Beach,
FL 33445 USA
Tel: 1-561-272-6227
Email: james@essenrfid.com

Note: All distances in free air. Optimized for Xtenna™

PERSONNA™

For tracking people
Read distance: 45 ft.
Tag size: 85mm x 55mm x 1mm
Card carried on person

PARKA™

For vehicle tracking
Read distance: 45 ft.
Tag size: 90mm x 65mm x 1mm
Mounted inside car windshield

GENERA™

For cartons, cases, pallets, etc.
Read distance: 45 ft.
Tag size: 85mm x 55mm x 1mm
Adhesive affixing

METALLICA™

For metal casings, hardware, etc.
Read distance: 25 ft.
Tag size: 102mm x 38mm x 8mm
Adhesive affixing, Reveting

µMETALLICA™

For metal casings, hardware, etc.
Read distance: 6 ft & 8ft Respectively
Tag size: 40mm x 15mm x 4mm
Tag size: 79mm x 16mm x 3mm
Adhesive affixing

ACQUA™

For Laundry, appeal tracking
Read distance: 25 ft.
Tag size: 100mm x 27mm x 6mm
Tie, String Attaching

SOLANNA™

For Solar Panel
Read distance: 30 ft.
Tag size: 86mm x 28mm x 1mm
Adhesive affixing

BOVINA™

For tracking and identification of Cattle
Read distance: 25 ft.
Tag size: 80mm x 68mm x 2.5mm
Press Punch